





































































**Group: 8LD**  
**Engine: 8LD 665-2 Drawing: L**

**CYLINDER HEAD/ROCKER ARM BOX/VALVES**

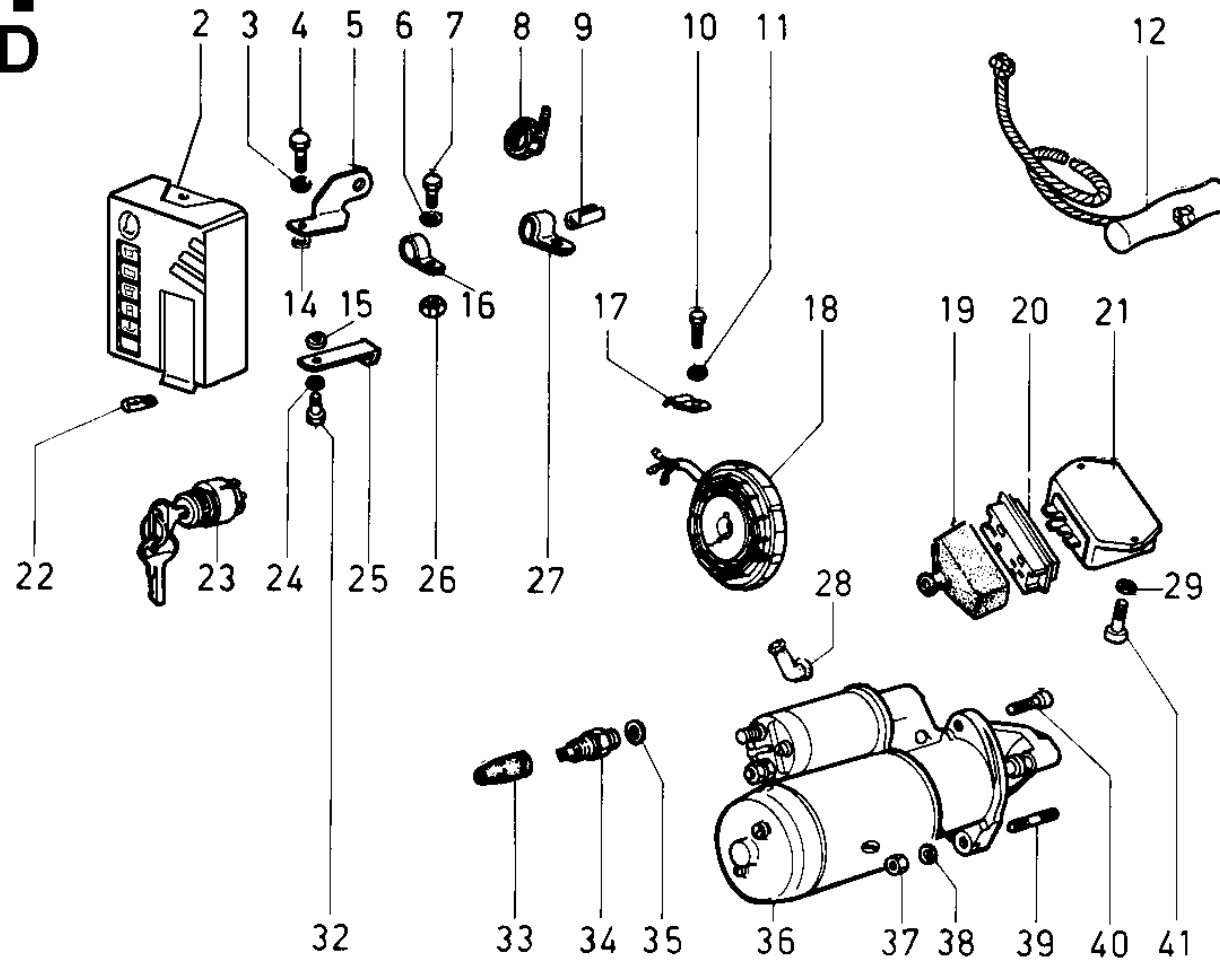
| POS. | CODE     | DESCRIPTION          | Qty |
|------|----------|----------------------|-----|
| 40   | 3430.067 | spring seat (bottom) | 4   |
| 41   | 9685.040 | exhaust valve        | 2   |
| 42   | 9652.030 | intake valve         | 2   |



**CYLINDER HEAD/ROCKER ARM BOX/VALVES**

| Pos. | Old part | Serv.Lett. | Notes                             | S.No/Date |
|------|----------|------------|-----------------------------------|-----------|
| L 3  | 4260.008 | 596        | -                                 | 1912564   |
| L 4  | 9730.034 | 596        | -                                 | 1912564   |
| L 7  | 2125.054 | 1312       | -                                 | 1912651   |
| L 17 | 4845.062 | 1346       | -                                 | 04.1988   |
| L 17 | 4845.072 | 1346       | -                                 | 04.1988   |
| L 19 | 4845.081 | 1345       | -                                 | 04.1988   |
| L 19 | 4845.084 | 1345       | -                                 | 04.1988   |
| L 21 | 2125.054 | 1312       | Pos. 3-4-21 -                     | 1912651   |
| L 35 |          | 1333       | - starting from shown engine s.no | 2288781   |
| L 35 |          | 1333       | - starting from shown engine s.no | 2288781   |
| L 35 |          | 1333       | - starting from shown engine s.no | 2288781   |
| L 35 |          | 1333       | - starting from shown engine s.no | 2288781   |
| L 35 |          | 1355       | - starting from shown engine s.no | 2891315   |
| L 35 |          | 1355       | - starting from shown engine s.no | 2891315   |
| L 35 |          | 1355       | - starting from shown engine s.no | 2891315   |
| L 35 |          | 1355       | - starting from shown engine s.no | 2891315   |
| L 35 |          | 1355       | - starting from shown engine s.no | 2891315   |
| L 35 |          | 1355       | - starting from shown engine s.no | 2891315   |
| L 35 |          | 1355       | - starting from shown engine s.no | 2891315   |
| L 35 |          | 1355       | - starting from shown engine s.no | 2891315   |
| L 35 |          | 1355       | - starting from shown engine s.no | 2891315   |

**M**  
**8LD**



Group: 8LD  
Engine: 8LD 665-2 Drawing: M



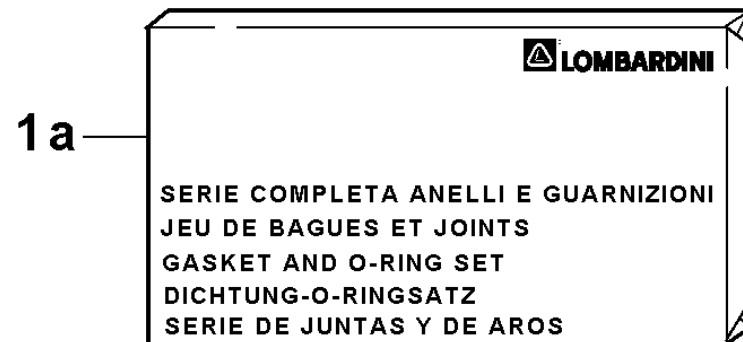
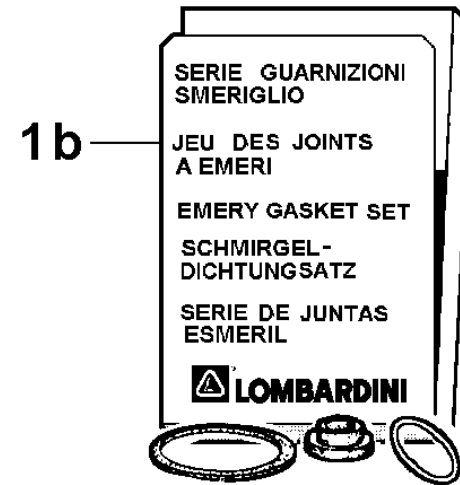
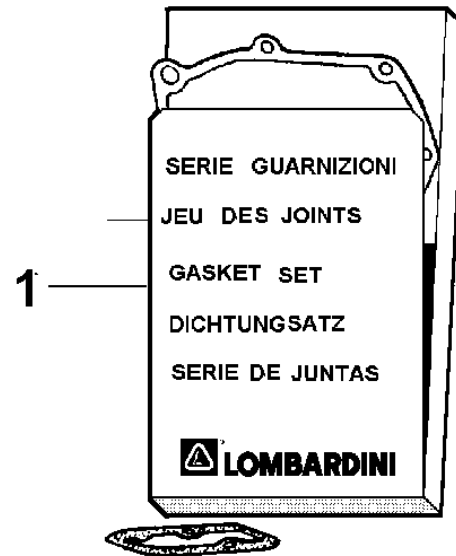
STARTING

| POS. | CODE     | DESCRIPTION   | Qty |
|------|----------|---|-----|
| 1    | <----->  | switch cover  | 0   |
| 2    | 2900.110 | dashboard 2 lights  | 1   |
| 3    | 7625.092 | washer diam. 6,5  | 1   |
| 4    | 1760.005 | bolt M 6 X 1 X 16   | 1   |
| 5    | <----->  | angle bracket   | 0   |
| 6    | 7565.007 | washer diam. 8  | 1   |
| 7    | 1770.002 | bolt M 8 X 1,25 X 16  | 1   |
| 8    | 2471.006 | collar  | 1   |
| 9    | 5400.060 | rubber sheathing  | 1   |
| 10   | 1770.001 | bolt M 8 X 1,25 X 12  | 1   |
| 11   | 7625.010 | washer diam. 8  | 1   |
| 12   | 4055.045 | rope starting   | 1   |
| 13   | <----->  | lampe-socket - no longer avail.                                 | 0   |
| 14   | 7625.092 | washer diam. 6,5  | 1   |
| 16   | 3617.020 | clamp   | 1   |
| 17   | 3617.024 | clamp   | 1   |
| 18   | 1157.158 | volt.alternator 12V 14A - 3 wires                               | 1   |
| 19   | 2145.014 | regulator cap   | 1   |
| 20   | 6740.153 | inlet regul.Saprisa   | 1   |
| 20   | 6740.154 | inlet regul.Ducati  | 1   |
| 21   | 7362.228 | voltage regulator. 12V 14/21A-6 contacts for alternator 3 wires | 1   |
| 22   | 5175.162 | lamp 12V  | 2   |
| 23   | 5041.020 | key switch  | 1   |
| 24   | 7625.092 | washer diam. 6,5  | 1   |
| 25   | <----->  | angle bracket   | 0   |
| 26   | 3240.019 | nut M 8 alpha brass   | 1   |
| 27   | 3617.024 | clamp   | 1   |
| 28   | 6491.005 | pipe elbow  | 1   |
| 29   | 7625.061 | washer diam. 8,4  | 2   |
| 30   | <----->  | switch cover  | 0   |
| 32   | 1760.005 | bolt M 6 X 1 X 16   | 1   |
| 33   | 6491.013 | pipe elbow  | 1   |
| 34   | 6745.050 | oil switch 0,3 bar (M 12)                                       | 1   |
| 35   | 4670.014 | copper gasket diam.12   | 1   |
| 36   | 5840.224 | starting motor 12V 1,7KW  | 1   |
| 37   | 3240.066 | nut M 10  | 2   |
| 38   | 7565.011 | washer diam.10  | 2   |
| 39   | 6800.004 | stud M 10 X 20 (35)   | 1   |
| 40   | 9730.046 | screw M 10 X 35   | 1   |
| 41   | 9732.092 | screw M 8 X 18  | 2   |

STARTING

| Pos. | Old part | Serv.Lett. | Notes                     | S.No/Date |
|------|----------|------------|---------------------------|-----------|
| M 1  | 2615.021 | D072       | - fitted until shown date | 03.1996   |
| M 2  | 2900.070 | D050       | -                         | 02.1993   |
| M 13 | 6612.063 | D050       | - fitted until shown date | 02.1993   |
| M 18 | 1157.001 | 1317       | -                         | 1923159   |
|      | 1157.039 | 5151       | -                         | 12.1988   |
| M 20 | 6740.088 | 5151       | -                         | 12.1988   |
| M 20 | 6740.090 | 5151       | -                         | 12.1988   |
| M 21 | 7362.066 | 5151       | -                         | 12.1988   |
| M 22 | 5175.119 | D050       | -                         | 02.1993   |
| M 30 | 2750.111 | D072       | - fitted until shown date | 03.1996   |
| M 31 | 6612.064 | D050       | - fitted until shown date | 02.1993   |
| M 33 |          | 5089       | - fitted from shown date  | 11.1984   |
| M 34 | 6745.005 | 5089       | -                         | 11.1984   |
| M 36 | 5840.097 | 80008      | -                         | 3254073   |

**N**  
**8LD**



**Group: 8LD**  
**Engine: 8LD 665-2 Drawing: N**



**GASKET/RING SET**

| POS. | CODE     | DESCRIPTION                  | Qty |
|------|----------|------------------------------|-----|
| 1    | «-----»  | GASKET SET - see Pos. N 1a   | 0   |
| 1a   | 8205.097 | RING AND GASKET COMPLETE SET | 1   |
| 1b   | 8185.019 | EMERY GASKET SET             | 1   |
| 2    | 8150.010 | O RING SET                   | 1   |

