





































































**Group: 8LD**  
**Engine: 8LD 665-2 Drawing: L**

**CYLINDER HEAD/ROCKER ARM BOX/VALVES**

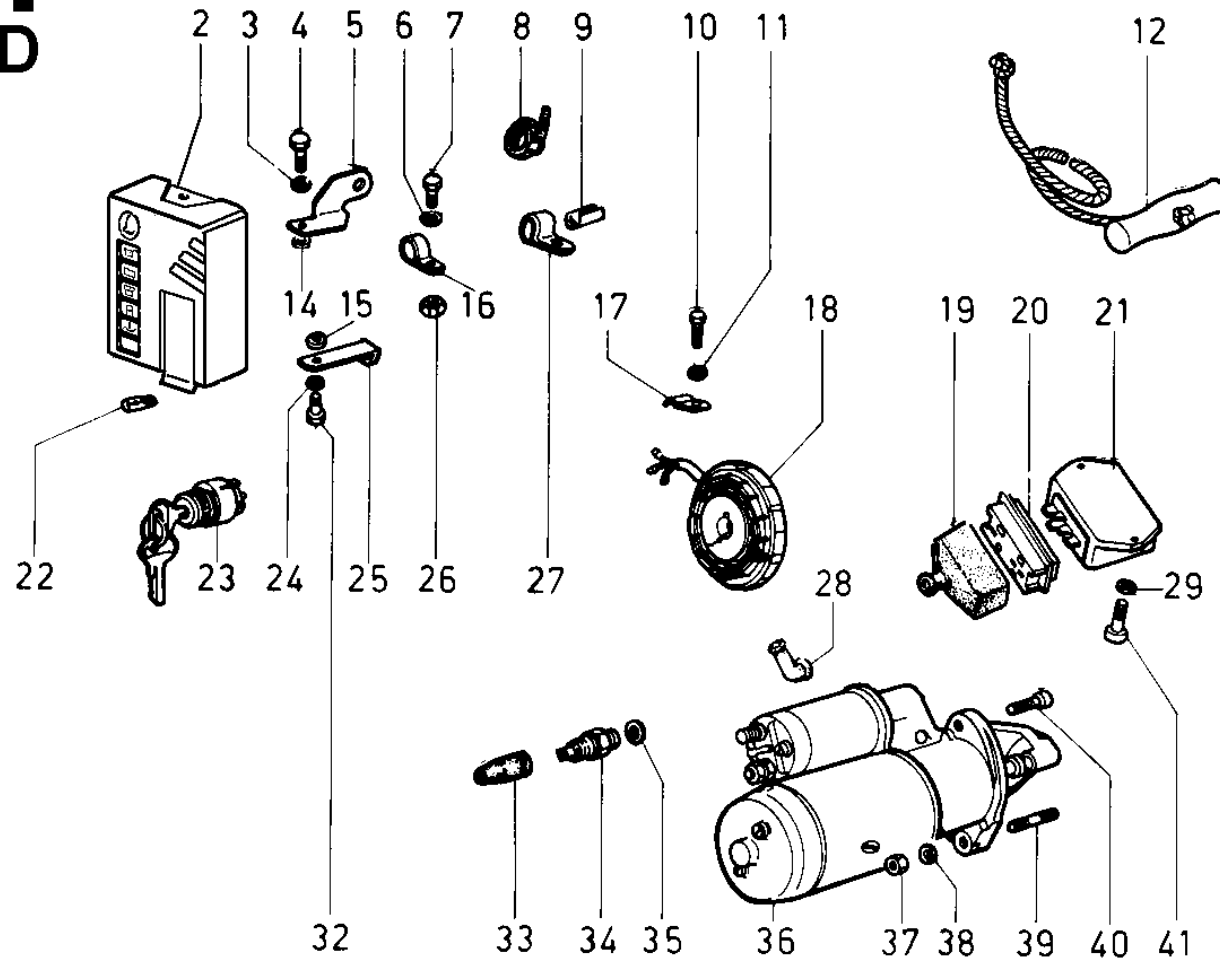
POS.	CODE	DESCRIPTION	Qty
40	3430.067	spring seat (bottom)	4
41	9685.040	exhaust valve	2
42	9652.030	intake valve	2



**CYLINDER HEAD/ROCKER ARM BOX/VALVES**

Pos.	Old part	Serv.Lett.	Notes	S.No/Date
L 3	4260.008	596	-	1912564
L 4	9730.034	596	-	1912564
L 7	2125.054	1312	-	1912651
L 17	4845.062	1346	-	04.1988
L 17	4845.072	1346	-	04.1988
L 19	4845.081	1345	-	04.1988
L 19	4845.084	1345	-	04.1988
L 21	2125.054	1312	Pos. 3-4-21 -	1912651
L 35		1333	- starting from shown engine s.no	2288781
L 35		1333	- starting from shown engine s.no	2288781
L 35		1333	- starting from shown engine s.no	2288781
L 35		1333	- starting from shown engine s.no	2288781
L 35		1355	- starting from shown engine s.no	2891315
L 35		1355	- starting from shown engine s.no	2891315
L 35		1355	- starting from shown engine s.no	2891315
L 35		1355	- starting from shown engine s.no	2891315
L 35		1355	- starting from shown engine s.no	2891315
L 35		1355	- starting from shown engine s.no	2891315
L 35		1355	- starting from shown engine s.no	2891315
L 35		1355	- starting from shown engine s.no	2891315
L 35		1355	- starting from shown engine s.no	2891315

**M**  
**8LD**



Group: 8LD  
Engine: 8LD 665-2 Drawing: M



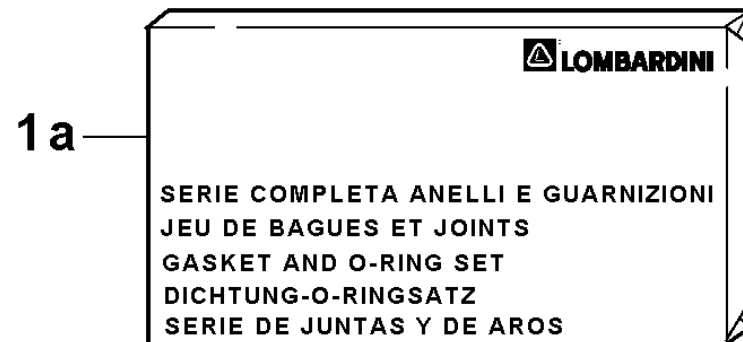
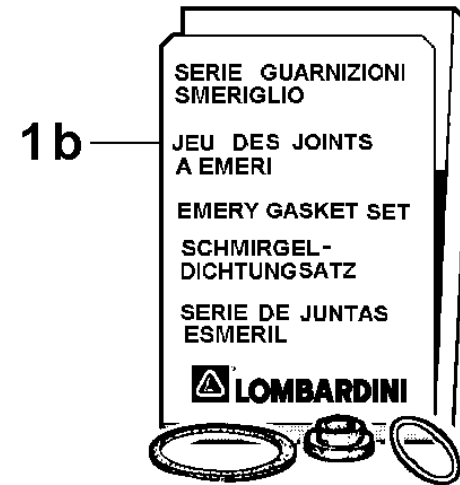
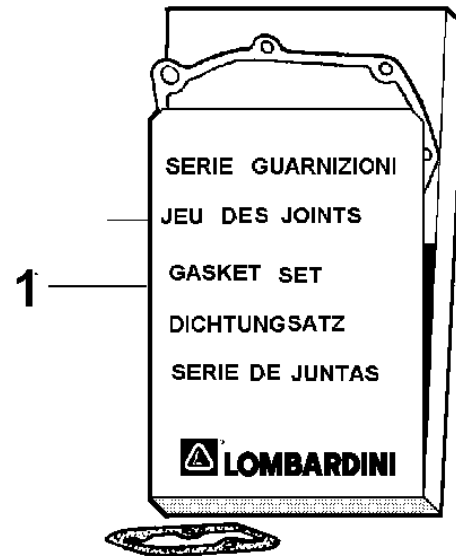
STARTING

POS.	CODE	DESCRIPTION	Qty
1	<----->	switch cover	0
2	2900.110	dashboard 2 lights	1
3	7625.092	washer diam. 6,5	1
4	1760.005	bolt M 6 X 1 X 16	1
5	<----->	angle bracket	0
6	7565.007	washer diam. 8	1
7	1770.002	bolt M 8 X 1,25 X 16	1
8	2471.006	collar	1
9	5400.060	rubber sheathing	1
10	1770.001	bolt M 8 X 1,25 X 12	1
11	7625.010	washer diam. 8	1
12	4055.045	rope starting	1
13	<----->	lampe-socket - no longer avail.	0
14	7625.092	washer diam. 6,5	1
16	3617.020	clamp	1
17	3617.024	clamp	1
18	1157.158	volt.alternator 12V 14A - 3 wires	1
19	2145.014	regulator cap	1
20	6740.153	inlet regul.Saprisa	1
20	6740.154	inlet regul.Ducati	1
21	7362.228	voltage regulator. 12V 14/21A-6 contacts for alternator 3 wires	1
22	5175.162	lamp 12V	2
23	5041.020	key switch	1
24	7625.092	washer diam. 6,5	1
25	<----->	angle bracket	0
26	3240.019	nut M 8 alpha brass	1
27	3617.024	clamp	1
28	6491.005	pipe elbow	1
29	7625.061	washer diam. 8,4	2
30	<----->	switch cover	0
32	1760.005	bolt M 6 X 1 X 16	1
33	6491.013	pipe elbow	1
34	6745.050	oil switch 0,3 bar (M 12)	1
35	4670.014	copper gasket diam.12	1
36	5840.224	starting motor 12V 1,7KW	1
37	3240.066	nut M 10	2
38	7565.011	washer diam.10	2
39	6800.004	stud M 10 X 20 (35)	1
40	9730.046	screw M 10 X 35	1
41	9732.092	screw M 8 X 18	2

STARTING

Pos.	Old part	Serv.Lett.	Notes	S.No/Date
M 1	2615.021	D072	- fitted until shown date	03.1996
M 2	2900.070	D050	-	02.1993
M 13	6612.063	D050	- fitted until shown date	02.1993
M 18	1157.001	1317	-	1923159
	1157.039	5151	-	12.1988
M 20	6740.088	5151	-	12.1988
M 20	6740.090	5151	-	12.1988
M 21	7362.066	5151	-	12.1988
M 22	5175.119	D050	-	02.1993
M 30	2750.111	D072	- fitted until shown date	03.1996
M 31	6612.064	D050	- fitted until shown date	02.1993
M 33		5089	- fitted from shown date	11.1984
M 34	6745.005	5089	-	11.1984
M 36	5840.097	80008	-	3254073

**N**  
**8LD**



**Group: 8LD**  
**Engine: 8LD 665-2 Drawing: N**



**GASKET/RING SET**

POS.	CODE	DESCRIPTION	Qty
1	«-----»	GASKET SET - see Pos. N 1a	0
1a	8205.097	RING AND GASKET COMPLETE SET	1
1b	8185.019	EMERY GASKET SET	1
2	8150.010	O RING SET	1

